

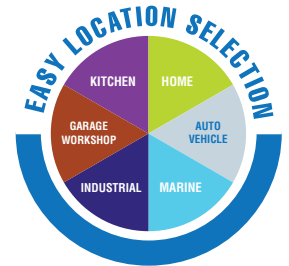


# 1KG ABE FIRE EXTINGUISHER

Product suitability

## Quell® Fire Extinguishers

Quell's range of fire extinguishers provide a range of solutions for the home or industrial premises. Each Quell branded fire extinguisher is Australian Standard certified and comes with a 5 year warranty. Shopping for a fire extinguisher has never been easier with Quell's colour coding system, neatly categorising the range so that you know you are choosing the right product for the right application.



## Features and benefits

The Quell® 1.0kg ABE dry chemical extinguisher features:

- Australian Standard certified to AS1841.5
- Mild steel polyester powder coated handle and trigger
- Mild steel polyester powder coated cylinder
- ABE (mono-ammonium phosphate) dry chemical powder.
- Rated for use on Class A, Class B and Class E fires.
- Ready for use pressure indicator
- Forged brass valve
- Light duty metal bracket for use in light vehicles including vans, utilities and 4-wheel drives

### Suitable for use in:

- Vehicles
- Boats & Caravans

## Product specifications

Model Number	127416
Type	DCP (Stored pressure)
Capacity	1.0kg (Tol: ±5%)
Contents	ABE40 Powder
Rating	1A:10B:E
Test Pressure	2 MPa
Operating Pressure	1000 kPa
Nominal Mass	1.70 kg
Discharge Time	8 - 11s
Nozzle Orifice	3.5 mm
Service Temperature	-5°C to 65°C

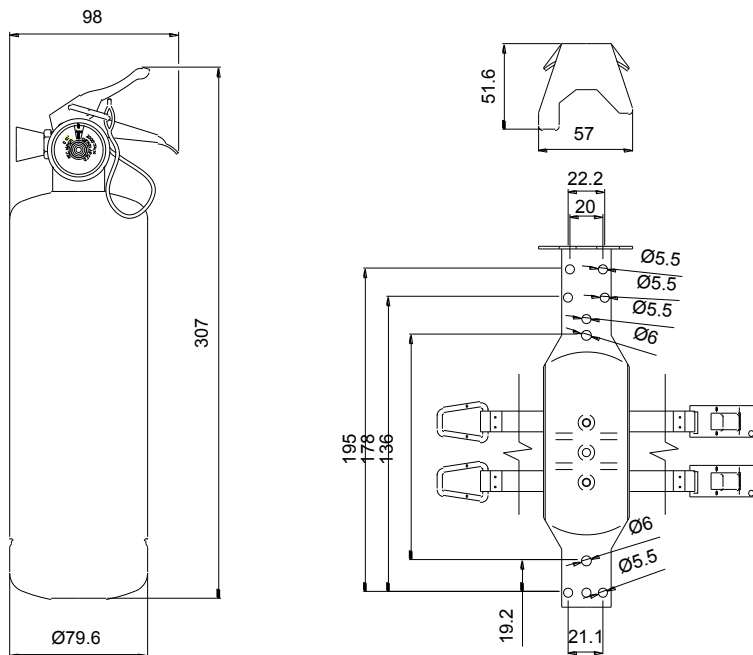
NOTE: Nominal mass and discharge times listed are approximate. Slight variations may occur.

## Compatibility Chart

Which Fire Extinguisher do I use for which fire?						
Kitchen / Garage 1kg 10B:E	✓	✓	-	-	-	✓
Home / Vehicle / Marine 1kg 1A:10B:E	✓	-	✓	✓	✓	✓
Auto / Marine 1kg 1A:10B:E	✓	-	✓	✓	✓	✓
Home / Garage / Workshop 1.5kg 2A:20B:E	✓	-	✓	✓	✓	✓
Home / Garage / Workshop 2.3kg 2A:40B:E	✓	-	✓	✓	✓	✓
Industrial 4.5kg 4A:60B:E	✓	-	✓	✓	✓	✓
Heavy Industrial 9.0kg 6A:80B:E	✓	-	✓	✓	✓	✓



## Product dimensions



## Service Requirements

Service in accordance with Australian Standard AS1851.

Additional AS1851 Service Requirements:

- Replace Dry Chemical Powder every five (5) years
- The recommended location for stamping the cylinder pressure test date is on the neck ring of the cylinder, consisting of figures not less than 3mm in height and shall as a minimum be of the form MM/YY, or MM/YYYY.

## Contact

For further information on Quell fire extinguishers, or other products in the Quell range visit our website at [www.quell.com.au](http://www.quell.com.au) or phone **1800 654 435**



Effective November 2017